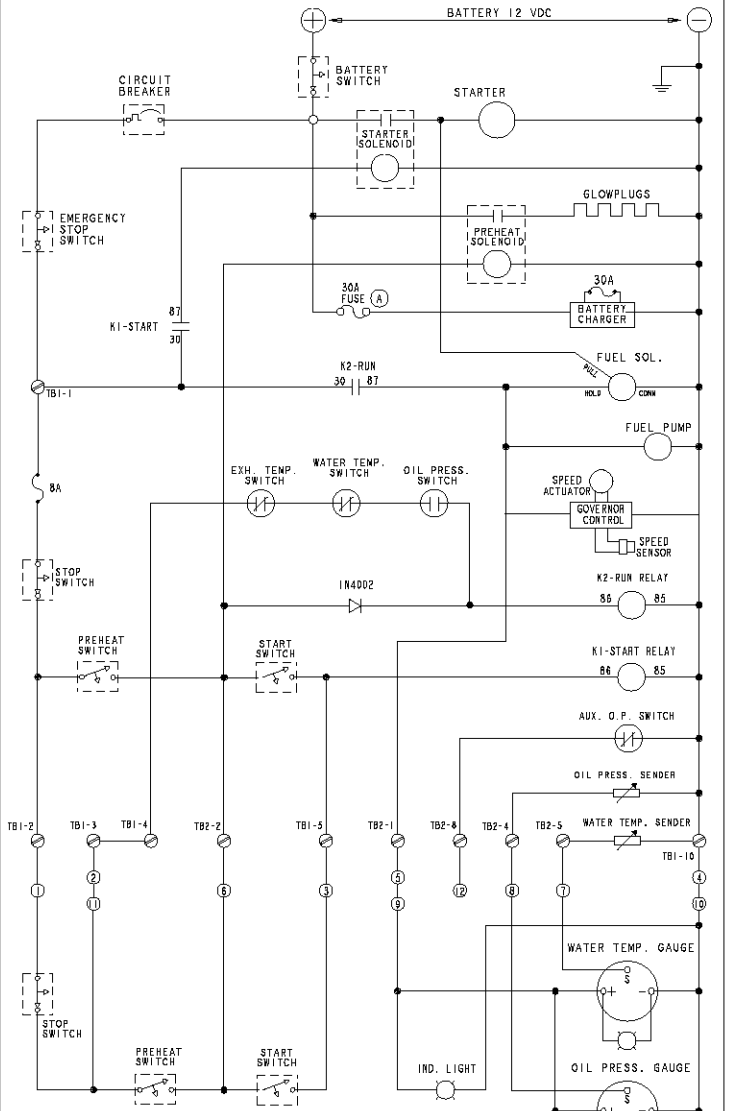
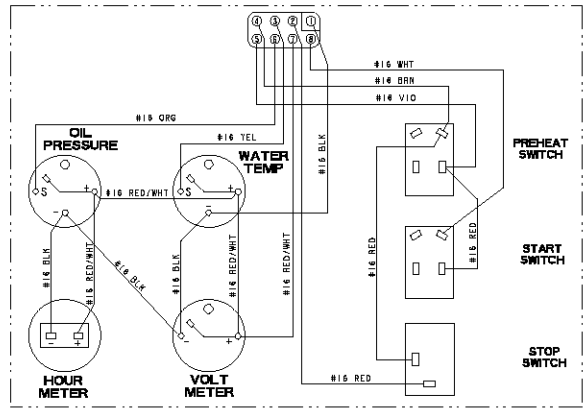
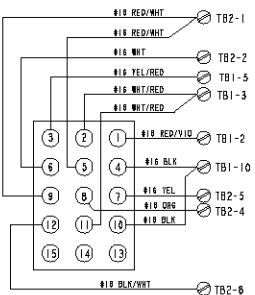


NOTE:
1. REMOVE JUMPER WHEN CONNECTING A SECOND REMOTE PANEL.



-TYPICAL REMOTE START/STOP PANEL CONNECTIONS-

NOTE:
○ REMOTE CONNECTOR PINS